

TR & TS SERIES SUCTION / RETURN LINE TANK-TOP FILTERS



Flows Up To: TR 96 GPM (Return) 32 GPM (Suction)
 TS 71 GPM (Return) 24 GPM (Suction)

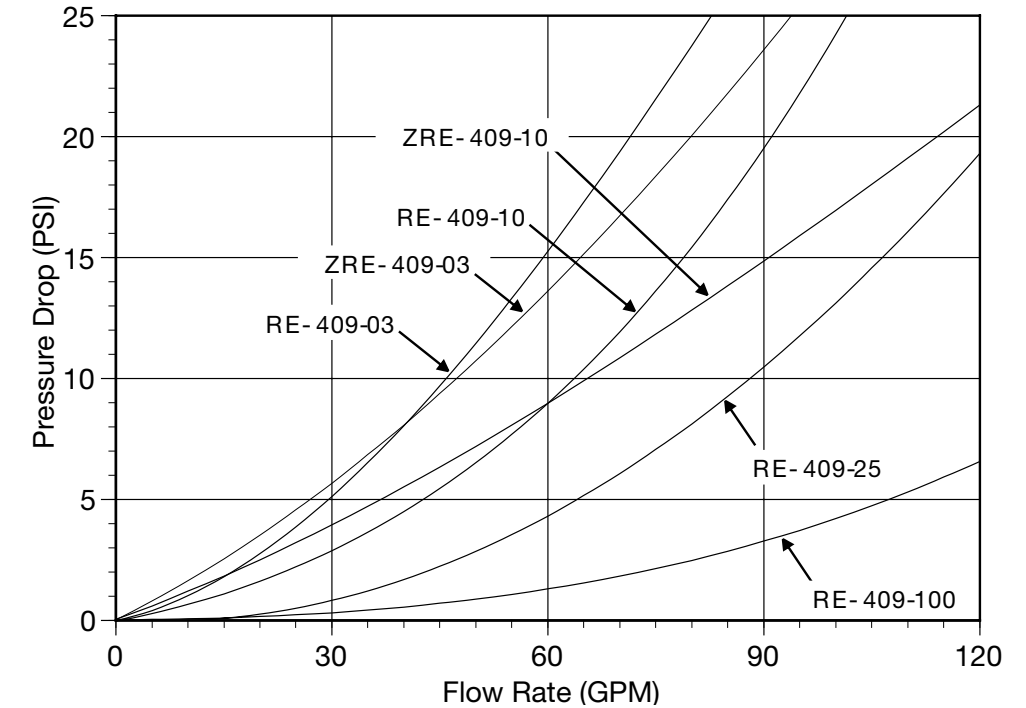
Port Sizes: 1 1/4" & 1 1/2" NPTF
 1 5/8" - 12 UN (SAE - 20)
 1 7/8" - 12 UN (SAE - 24)
 1 1/4" BSP

Pressure: 100 PSI Max. Operating
 Temperature: Up to +250°F
 Application: Suitable for petroleum-based fluid only.
 Consult factory for synthetic fluids.

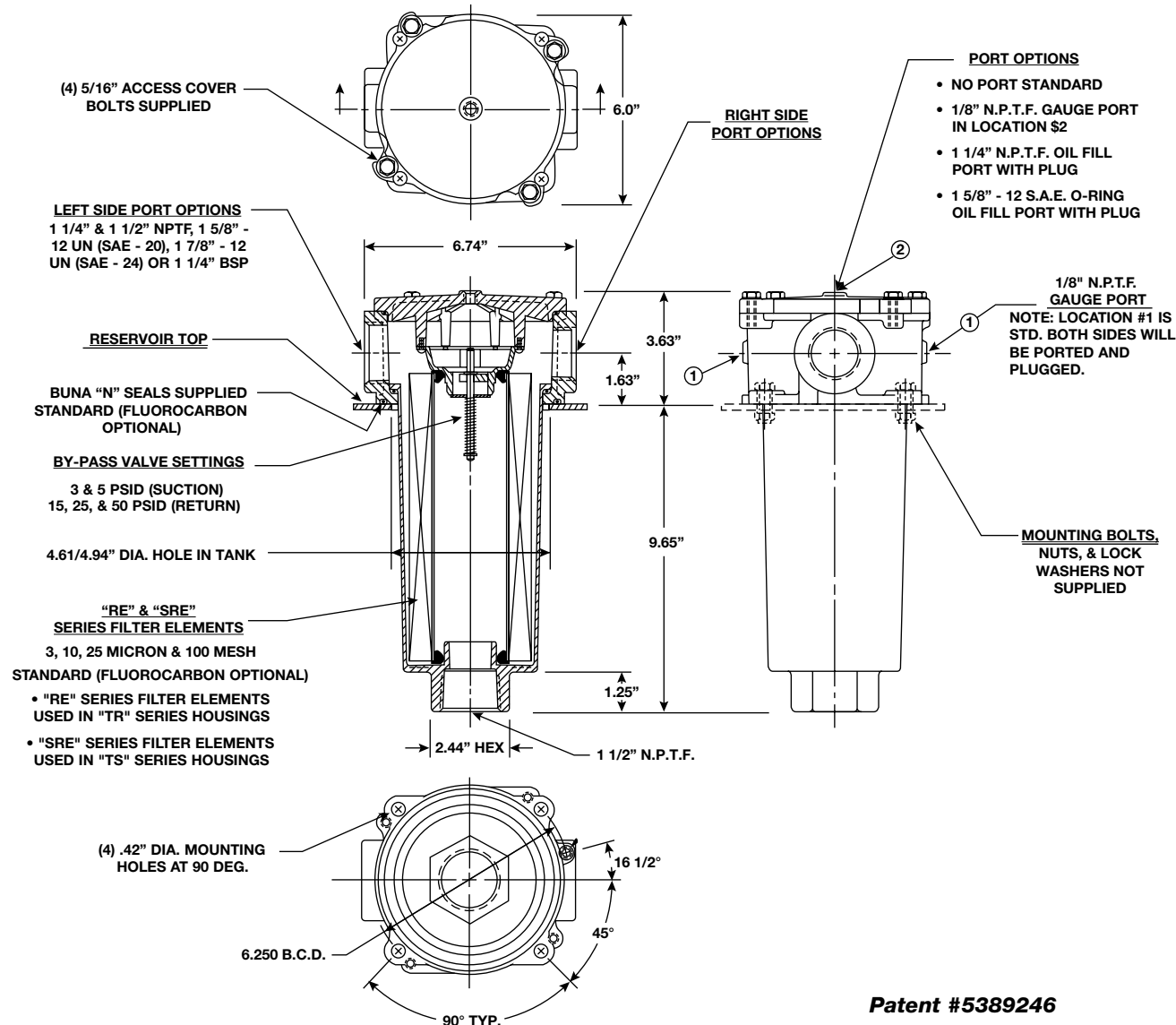
Design Features:

- No parts to lose with unitized cover and by-pass valve assembly.
- Radial seal grommets used in RE and SRE series filter elements.
- Drop-in element bowl design for easier installation.
- Patented element bowl hold-down for suction applications.
- O-ring seal between filter housing and tank top.
- Filter housing mounting bolt pattern matches Zinga RF and SRF series as well as Schroeder ST and RT series housings.
- TS series housings are fully compatible with Schroeder K series elements.

Average pressure drop through clean filter with 150 SUS oil at 105° F.



RE & SRE Element Data: See Pages 45 & 46



Patent #5389246

Consult Manufacturer for Ordering Information

Consult Manufacturer for Ordering Information

TANK-TOP

TANK-TOP