



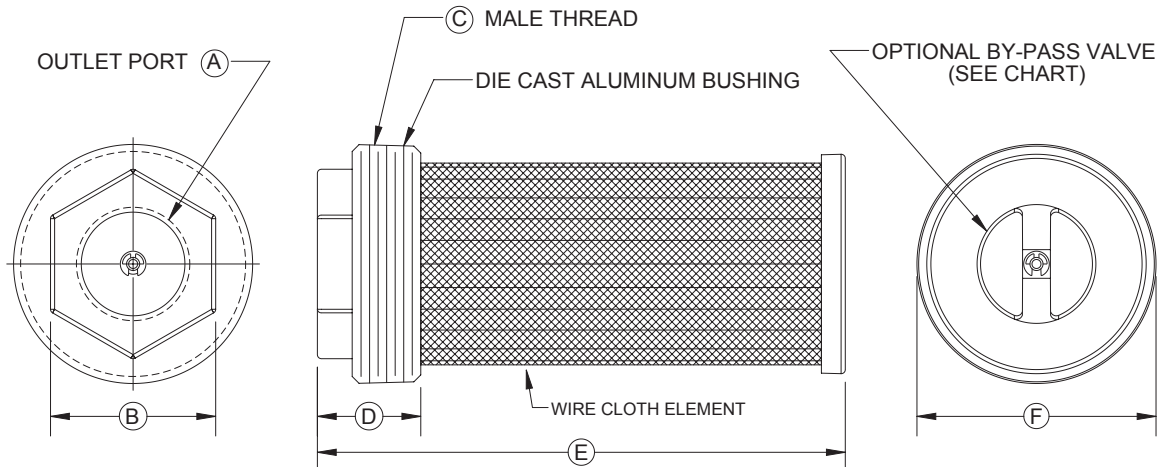
TF Series Hydraulic Strainers Externally Mounted

Port Sizes: 3/8" through 3" NPTF

Media: 100 Mesh Standard

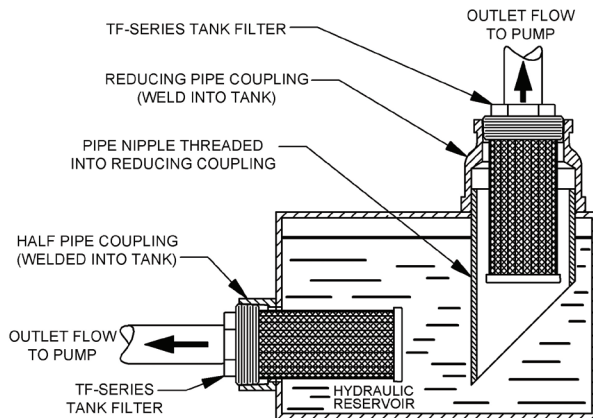
Optional By-Pass: 3 PSI (6" Hg) or 5 PSI (10" Hg)

Operating Temperature: Up to 250°F



Model	A Outlet Port	B Hex Size	C Male Thread	D Fitting Length	E Overall Length	F Cover Diameter	Rated Flow @ 5 Ft/Sec
TF0310X0	3/8" NPTF	1.2"	1" NPTF	1.1"	2.6"	1.1"	3 GPM
TF0510XX	1/2" NPTF	1.2"	1" NPTF	1.1"	4.9"	1.1"	5 GPM
TF0712XX	3/4" NPTF	1.5"	1 1/4" NPTF	1.1"	6.9"	1.5"	8 GPM
TF1015XX	1" NPTF	1.75"	1 1/2" NPTF	1.1"	6.9"	1.7"	14 GPM
TF1220XX	1 1/4" NPTF	2.1"	2" NPT	1.2"	9.1"	2.2"	23 GPM
TF1230XX	1 1/4" NPTF	2.5"	3" NPT	1.5"	6.7"	3.2"	23 GPM
TF1530XX	1 1/2" NPTF	2.5"	3" NPT	1.5"	8.7"	3.2"	32 GPM
TF1630XX	1 5/8"-12(SAE-20)	2.5"	3" NPT	1.5"	8.7"	3.2"	14 GPM
TF1830XX	1 7/8"-12(SAE-24)	2.5"	3" NPT	1.5"	8.7"	3.2"	21 GPM
TF2030XX	2" NPTF	3.06"	3" NPT	1.6"	8.8"	3.2"	53 GPM
TF2040XX	2" NPTF	4.13"	4" NPT	1.8"	7.7"	4.2"	53 GPM
TF3040XX	3" NPT	4.13"	4" NPT	2.1"	12.7"	4.2"	116 GPM

All strainers are rated at 5 Ft/sec with a pressure drop of under 1" Hg (1/2 PSI) with 150 SUS oil.



HOW TO ORDER: TF XXX X X

Code	Wire Mesh
0	100 Mesh Standard
3	30 Mesh

Code	By-Pass Valve
0	No Valve
3	3 PSI
5	5 PSI

