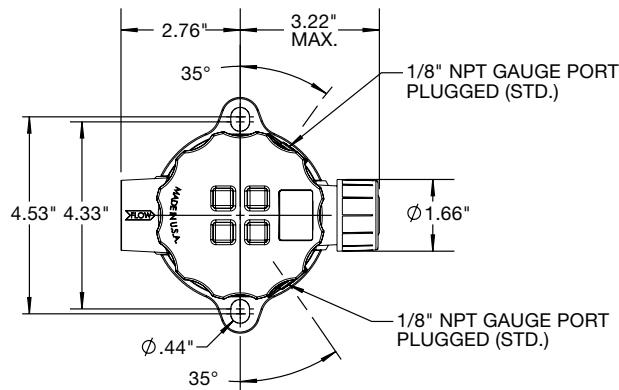


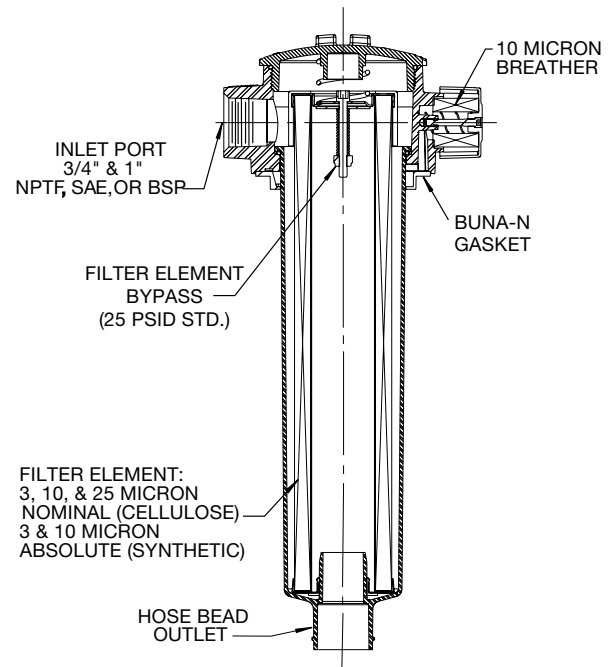
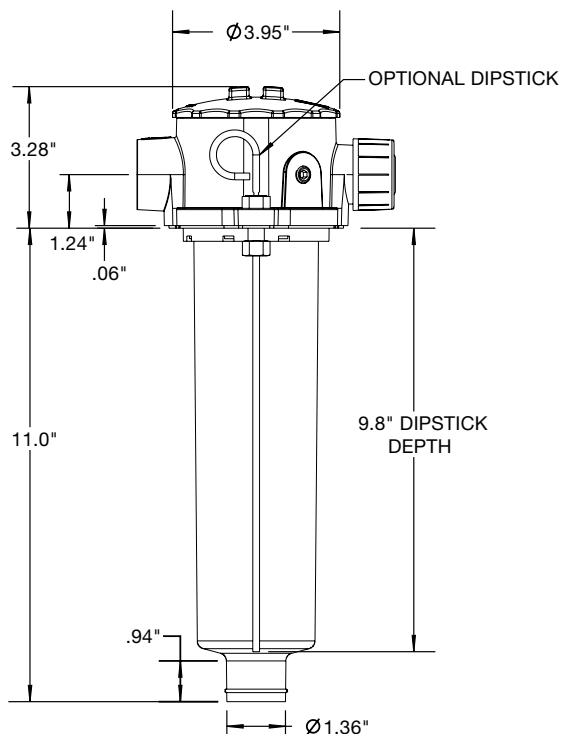
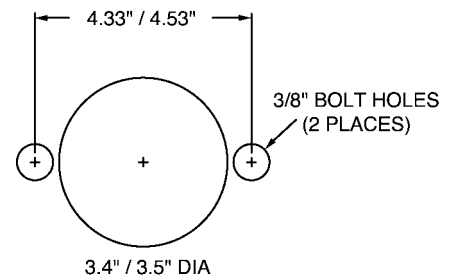


SLF2 SERIES TANK-TOP FILTERS (WITH INTEGRAL TANK BREATHER)

Flows Up To: 40 GPM (Return)
 Port Sizes: 3/4" & 1" NPTF, SAE & BSP
 Pressure: 100 PSI Max. Operating Pressure
 300 PSI Burst
 Temperature: -15 to +230°F Operating
 Head: Die-Cast Aluminum Alloy
 Bowl / Cover: Nylon
 Breather: 10-Micron (Foam) Standard
 Applications: Petroleum-based fluids only
 Consult factory for synthetic fluids



INSTALLATION LAYOUT



Consult Manufacturer for Ordering Information