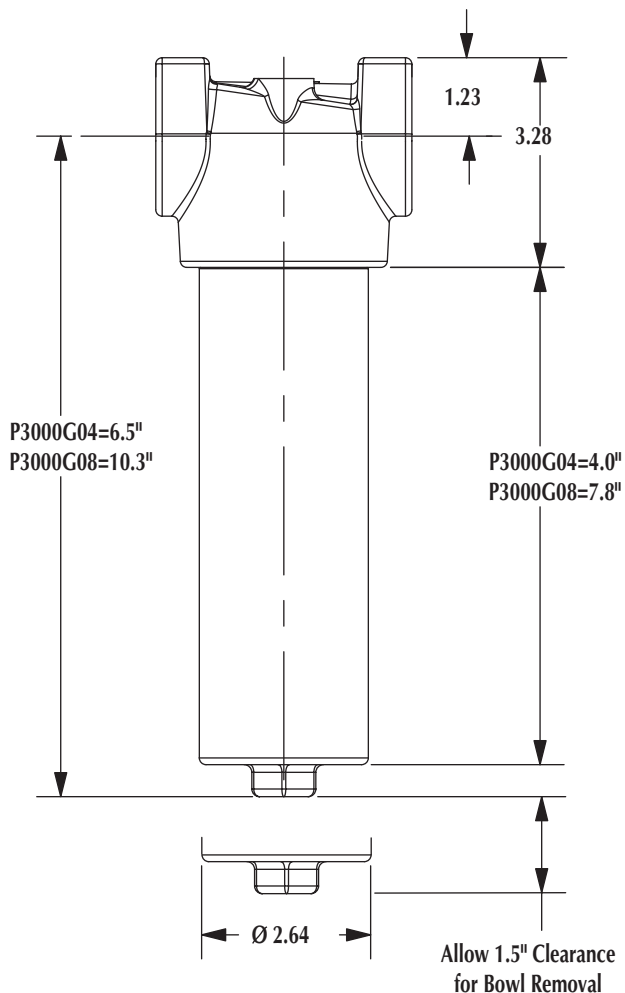
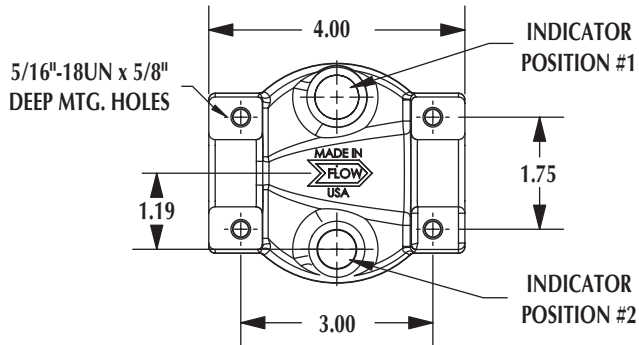




P3000 SERIES PRESSURE FILTERS WITH ΔP INDICATOR OPTION

Flows Up To: 30 GPM (114 L/MIN)
 Port Sizes: 1 1/16"-12 UN (SAE-12)
 Max. Operating Pressure: 3,000 PSI (207 BAR)
 Application: Inline Filtration,
 External Charge Pump Filtration,
 High Shock Return Line Filtration



SPECIFICATIONS

Code Number	Removal Rating B _x > 200
03H	2
03L	3
06L	6
10L	12
10H	15
20L	25
10C	N/A

REFERENCE

Beta_x Rating of 200=99.5% Efficiency

PRESSURE RATING

Maximum Operating: 3,000 PSI (207 Bar)

Burst Pressure: 8,600 PSI (580 Bar)

Rated Fatigue Pressure: 2000 PSI (138 Bar)

TEMPERATURE RANGE

Operating: -40° F to +250° F
 (-4° to +120° C)

BY-PASS SETTING OPTION:

No By-Pass or 50 PSID

ΔP INDICATOR OPTIONS

Visual, Single Wire DC Electrical, or
 Electrical/Visual w/ DIN Connector

FLUID COMPATIBILITY

Elements: Suitable For Use with
 Petroleum Base Fluids. Consult
 Factory For Use With Other Fluids.

MATERIALS

Head: Die Cast Aluminum

Bowl: Anodized Aluminum (6061-T6)

By-Pass: Nylon

Element Hardware: Plated Carbon
 Steel End Caps and Core. Epoxy
 Endcap Adhesive .

Filter Media: Z-Glass Fiber Standard

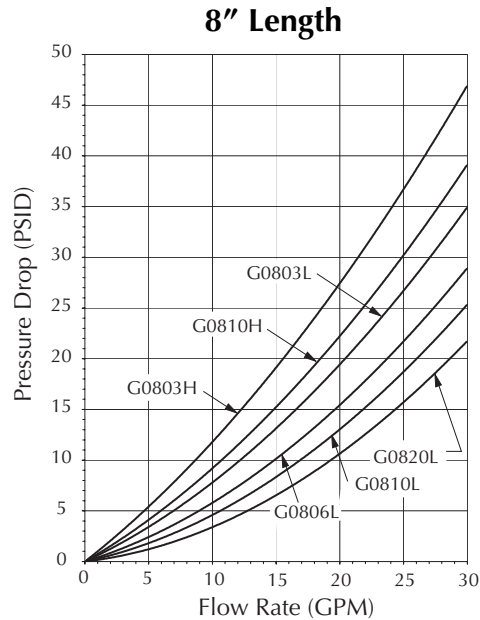
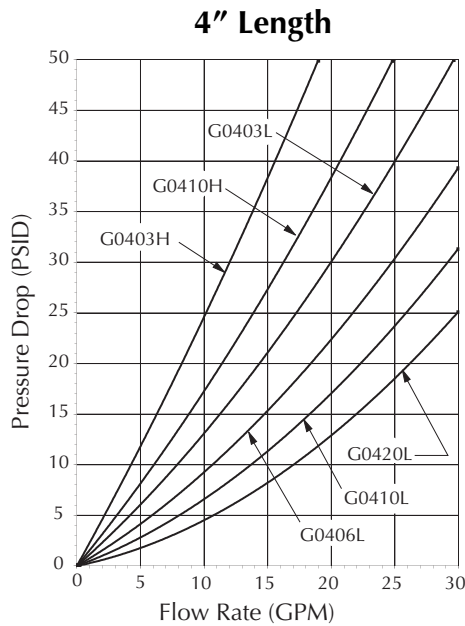
WEIGHT

P3000G04: 4.2 lbs. (2.2 Kg)

P3000G08: 5.2 lbs. (2.8 Kg)

P3000 Pressure Drop Curves

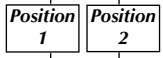
Fluid Viscosity 150 SUS at 105°F (33 CS at 41°C)



PRESSURE FILTERS

HOW TO ORDER:

P3000 XXX XX XXX XXX X X - G XX XXX X



Code	Maximum Pressure
P3000	3,000 PSI (207 BAR)

Code	Port
S12	1 1/16"-12 UN (SAE-12)

Code	Nominal Bowl Length
04	4 Inches (100 mm)
08	8 Inches (200 mm)

Code	Indicator Option	Indicator Series
000	No Indicator	None
V44	Visual	DP04
D44	DC Electrical Single Wire	DP06
H44	Vis/Elec w/DIN Connector	DP05

Code	By-Pass
E	50 PSID (3.4 BAR)
N	No By-Pass*

REQUIRES PROPER ELEMENT SELECTION

Code	Housing Seal Material
N	Buna "N"
V	Fluorocarbon

Code	Element Seal Material
N	Buna "N"
V	Fluorocarbon

Filter Element Options	
Code	Micron-Media-Collapse
03L	3 Micron, Z-GLASS, 150 PSID (20.7 BAR)
03H	3 Micron, Z-GLASS, 3,000 PSID (207 BAR)
06L	6 Micron, Z-GLASS, 150 PSID (20.7 BAR)
10L	10 Micron, Z-GLASS, 150 PSID (20.7 BAR)
10H	10 Micron, Z-GLASS, 3,000 PSID (207 BAR)
20L	20 Micron, Z-GLASS, 150 PSID (20.7 BAR)

Code	Nominal Filter Element Length
04	4 Inches (100 mm)
08	8 Inches (200 mm)

Element Series	
"G" Series	