

SS Series

Hydraulic Strainers

Internally Mounted

With Magnetic Filtration

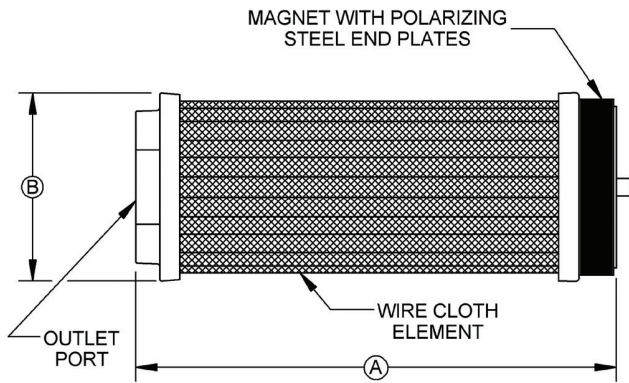
Port Sizes: 1" through 3" NPTF

Media: 100 Mesh Standard

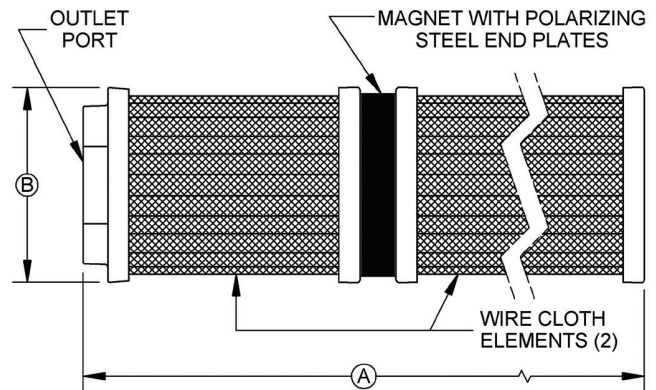
Optional By-Pass: 3 PSI (6" Hg) or 5 PSI (10" Hg)

Operating Temperature: Up to 250°F

Style A



Style B



Style A

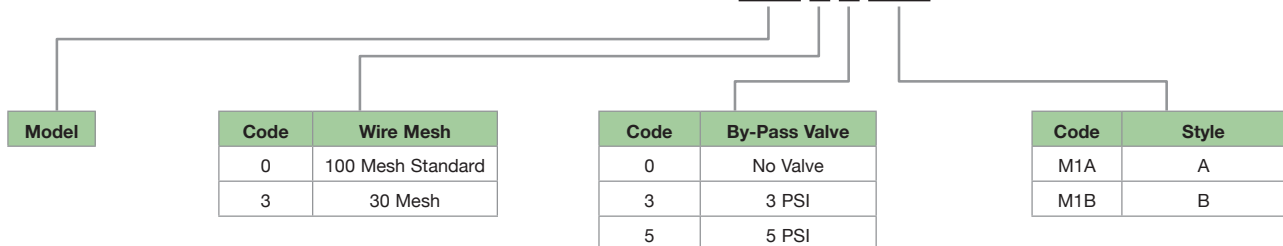
Model	A Outlet Port	Length	Rated Flow @ 5 Ft/Sec	B OD
SS100XXM1A	1" NPTF	5.3"	14 GPM	3.2"
SS120XXM1A	1 1/4" NPTF	7.3"	23 GPM	3.2"
SS150XXM1A	1 1/2" NPTF	9.3"	32 GPM	3.2"
SS200XXM1A	2" NPTF	7.9"	53 GPM	4.2"
SS250XXM1A	2 1/2" NPTF	10.0"	76 GPM	4.2"
SS300XXM1A	3" NPTF	13.2"	116 GPM	4.2"

Style B

Model	A Outlet Port	Length	Rated Flow @ 5 Ft/Sec	B OD
SS100XXM1B	1" NPTF	6.0"	14 GPM	3.2"
SS120XXM1B	1 1/4" NPTF	7.0"	23 GPM	3.2"
SS150XXM1B	1 1/2" NPTF	9.3"	32 GPM	3.2"
SS200XXM1B	2" NPTF	7.9"	53 GPM	4.2"
SS250XXM1B	2 1/2" NPTF	10.0"	76 GPM	4.2"
SS300XXM1B	3" NPTF	13.2"	116 GPM	4.2"

All strainers are rated at 5 Ft/sec with a pressure drop of under 1/2 PSI with 150 SUS oil.

HOW TO ORDER: SS XXX X X XXX



*By-pass valve not available on Style A